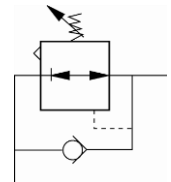


Piston pressure regulator with self-relieving design, hollow bolt and pivoting ring piece.

The regulator is connected directly into the consumer (e.g. cylinder, handling equipment, etc.). The working pressure can thus be adapted to the specific application.



Control range:

0 to 8 bar

Input pressure:

Max. 10 bar

Temperature range:

0 °C to +70 °C

Hollow bolt, pivoting arm, adjusting screw:

Nickel-plated brass

Valve trim:

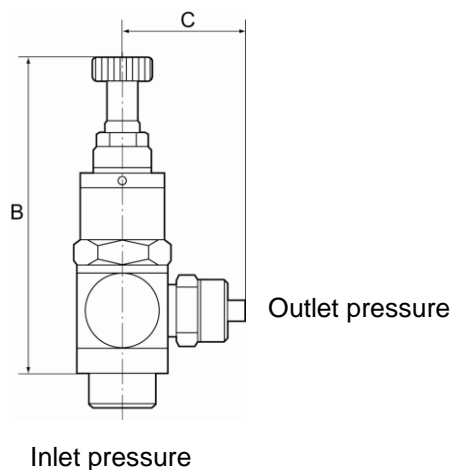
Brass with a bare metal surface

O-rings and lip seal:

NBR

Captive seals:

Polyamide (glass fibre-reinforced)



3621.014-6

Mini pressure regulators

discharge port on thread, plug-in connector

Type No.	Art. No.	Thread	For pipe mm	a/f mm	B mm	C mm
3621.018-4	107045	G 1/8	4	15	56.0	19.5
3621.018-6	107046	G 1/8	6	15	56.0	22.0
3621.018-8	107047	G 1/8	8	15	56.0	22.5
3621.014-6	107048	G 1/4	6	17	63.0	23.5
3621.014-8	107049	G 1/4	8	17	63.0	24.0
3621.014-10	107050	G 1/4	10	17	63.0	26.5